

IT 认证电子书



质 量 更 高 服 务 更 好

半年免费升级服务

<http://www.itrenzheng.com>

Exam : **E20-535**

Title : Networked Storage - NS
Implementation

Version : Demo

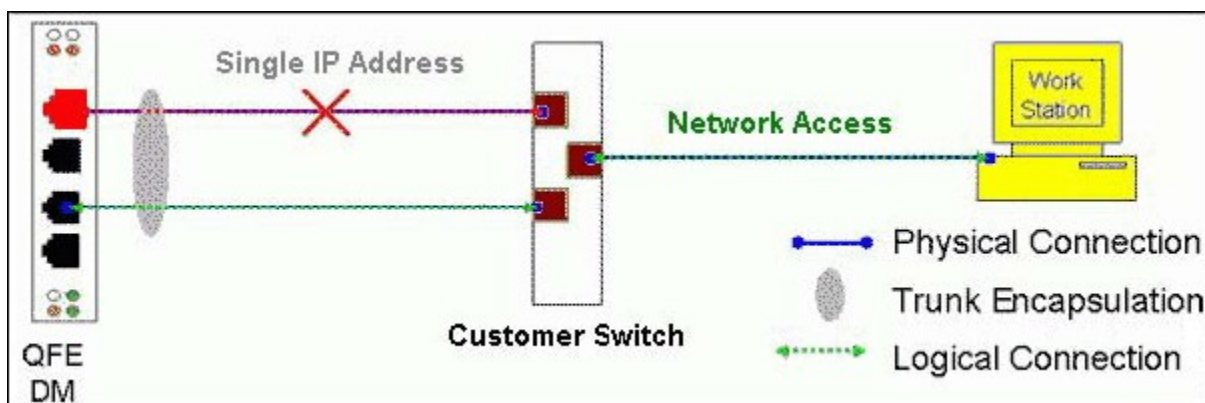
1.The NAS solution requires that file system fs01 be mounted to /mp1. CIFS users must not see the .etc and lost&found objects when they access the CIFS share.

Which procedure meets this requirement?

- A. Mount fs01 to /mp1 Create the directory /mp1/share Export /mp1/share as a CIFS share
- B. Mount fs01 to /mp1 Create the directory /mp1/share Unmount fs01 from /mp1 Mount fs01 to /mp1/share Export /mp1/share as a CIFS share
- C. Create the mountpoint /mp1/share Mount fs01 to /mp1/share Export /mp1/share as a CIFS share
- D. Mount fs01 to /mp1 Export /mp1/ as a CIFS share Mark .etc and lost&found as hidden

Answer: A

2.Click the Exhibit button.



What will happen if one of the trunking network paths fails (indicated by the X)?

- A. I/O will wait until the failed path becomes available
- B. The Data Mover will failover
- C. I/O will pass on both paths
- D. All I/O will pass on active path only

Answer: D

3.Which NS600 cache data is written to the vault area in the event of a power failure?

- A. Write and read
- B. Write
- C. Read
- D. NVRAM

Answer: B

4.What are two [2] accurate statements about Virtual Data Movers [VDMs]?

- A. support NFS only
- B. do not support CDMS
- C. do not support CPU/memory resource allocation
- D. support CIFS and NFS

Answer: B,C

5.When the getreason command is used, which status identifies that a Data Mover needs to be replaced?

- A. connected

- B. contacted
- C. powered off
- D. dos booted

Answer: C

6.From where will the data be read when a bitmap value of a data block in a SnapSure checkpoint is 1?

- A. cache
- B. bitmap
- C. PFS
- D. SavVol

Answer: D

7.DRAG DROP

Number the statements, in order, about Celerra Replicator's periodic update to the SavVol.

Number the statements, in order, about Celerra Replicator's periodic update to the SavVol.

Order	Statements in Order
1	(place step one here)
2	(place step two here)
3	(place step three here)
4	(place step four here)

- Pause PFS
- Resume PFS
- Re-read superblock of PFS
- Complete deltas to SavVol (background)

Answer:

Number the statements, in order, about Celerra Replicator's periodic update to the SavVol.

Order	Statements in Order
1	Pause PFS
2	Re-read superblock of PFS
3	Complete deltas to SavVol (background)
4	Resume PFS

- Pause PFS
- Resume PFS
- Re-read superblock of PFS
- Complete deltas to SavVol (background)

8.What is the fully functional state of a Virtual Data Mover?

- A. loaded
- B. TempUnloaded
- C. mounted
- D. PermUnloaded

Answer: A

9.What is one characteristic of internal usermapper?

- A. runs on Control Station
- B. requires post DART code installation on the Control Station from the Celerra Application disk
- C. coexist with External usermapper is recommended
- D. no separate installation required

Answer: D

10.What is the default authentication method used in Windows Active Directory, Native Mode?

- A. LM
- B. Kerberos
- C. NIS
- D. NTLM

Answer: B

11.What is one characteristic of SnapSure?

- A. can mount a checkpoint on any Data Mover
- B. can delete a checkpoint in any order

- C. checkpoint is independent of its Production File System
- D. checkpoints are stored in the same volume as the Production File System

Answer: B

12.Which NS600 cache data is written to the vault area in the event of a power failure?

- A. NVRAM
- B. Read
- C. Write
- D. Write and read

Answer: C

13.Click the Exhibit button.

The screenshot shows the EMC NAS Administration interface. The left sidebar contains a navigation tree with categories like Control Stations, Data Movers, Storage Systems, File Systems, and CIFS Shares. The main area displays 'CIFS Shares' with a search filter set to 'All Data Movers'. Below this is a table of shares:

Name	File System	Path	CIFS Servers	Data Mover	Comment
share1	demo_fs_2	\demo_fs_2\abcdef	fenway	server_2	abcdef on demo_
share2	demo_fs_2	\demo_fs_2\xyz	fenway, wrigley	server_2	xyz on demo_fs_
share3	demo_fs_2	\demo_fs_2	wrigley	server_2	Root of demo_fs_
share4	demo_fs_3	\demo_fs_3\jkl	All	server_3	jkl on demo_fs_3

Which three [3] shares are visible on \\fenway?

What is recommended for high availability in a high application transaction environment?

- A. NFS
- B. FTP
- C. TFTP
- D. CIFS

Answer: A

15.Which assigns the Fibre Channel WWN?

- A. Operating system
- B. Hardware manufacturer
- C. Name server
- D. System Administrator

Answer: B